



**GLOBE FAN**

# GLOBEFAN TECHNOLOGY CO., LTD.

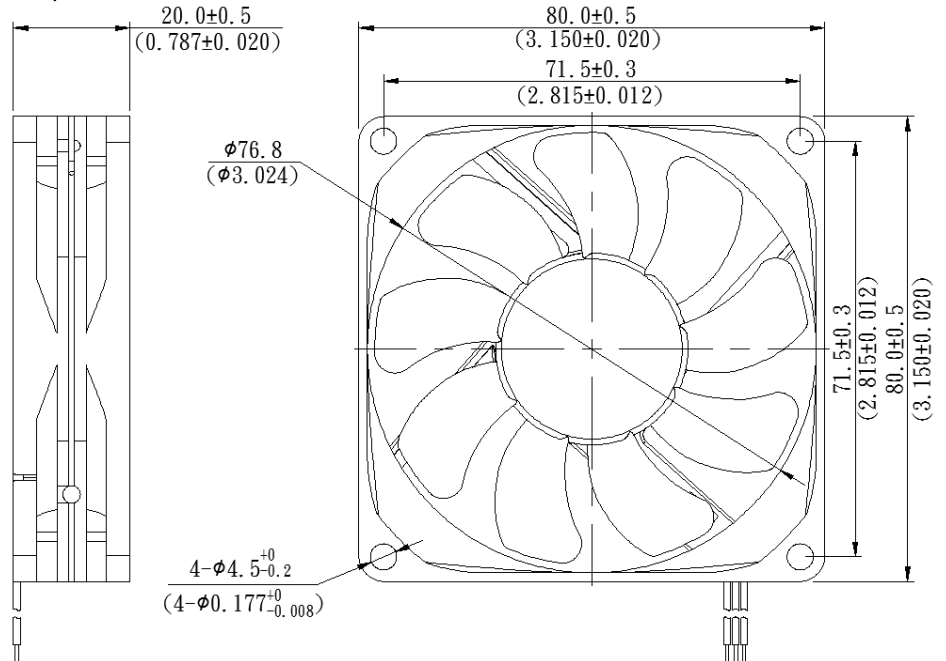
No. 28, 3 Lane Zhongxinjin Road, Jin Industry District Shoei Koo Village,

Da Laang Town, Dungan City, Guangdong Province, China

Tel : +86 769 83182898~9

Fax : +86 769 83182897

## ◆ DIMENSIONS DRAWING



### \* BEARING TYPE

- Ball bearing
- Sleeve bearing

### \* Electrical Function

- Frequency Generator Output Signal
- RD (Lock Detection) Output Signal

### \* Material

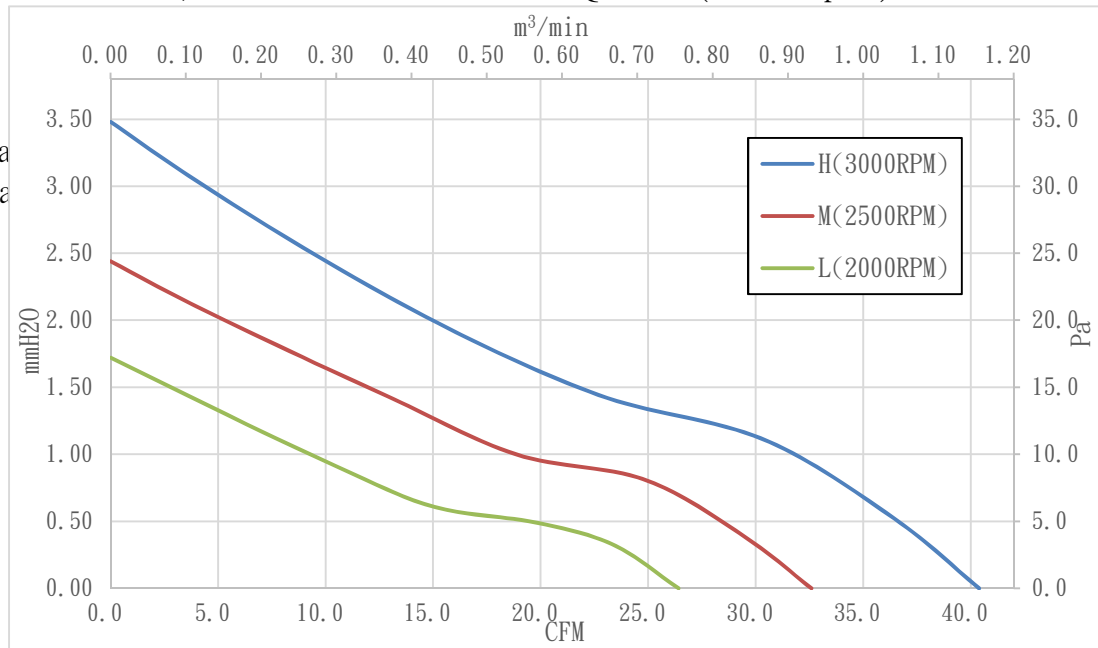
- Impeller: Plastic (PBT 30%GF)
- Frame : Plastic (PBT 30%GF)

### \* Lead wires

- UL1007 26AWG or Equivalent
- Black Wire Negative (-)
- Red or Yellow Wire Positive (+)
- White Wire Signal (FG)

### \* Weight :59.8g (2.11 oz)

## ◆ 80x80x20mm DC Axial Fan P/Q Curves (At rated speed)



### \* Weight :59.8g (2.11 oz)

MODEL	Operating Voltage Range	Rated Voltage	Rated Current	Rated Input Power	Speed	Maximum Air Flow		Maximum Air Pressure		Noise
Part No.	VDC	VDC	Amp	Watts	R.P.M	m <sup>3</sup> /min	CFM	mmH <sub>2</sub> O	Pa	dB(A)
RLXX B/S0802012H-3M	6 ~13.8	12	0.36	4.3	3000±10%	1.14	40.39	3.48	34.13	35.5
RLXX B/S0802012M-3M	6 ~13.8	12	0.30	3.6	2500±10%	0.92	32.59	2.44	23.93	31.0
RLXX B/S0802012L-3M	6 ~13.8	12	0.23	2.8	2000±10%	0.75	26.41	1.72	16.87	24.0

\* Function type is optional.

\* The max. air flow and speed are measured in free air; max. air pressure is measured at close to zero air flow.

\* Noise is measured in anechoic chamber in free air, one meter from intake side.

\* All readings are typical values at rated voltage.

\* Specifications are subject to change without notice.